

Fixed male thread // Nominal size 200, 150, 110 // Aluminium painted



Your advantages

Type	HBZ /WBZ
	<ul style="list-style-type: none"> • Accuracy according to DIN 16195 • No aging - no moving parts and no mechanical wear • Lifetime warranty* • Series production for large volume use • Completely without electrical auxiliary energy

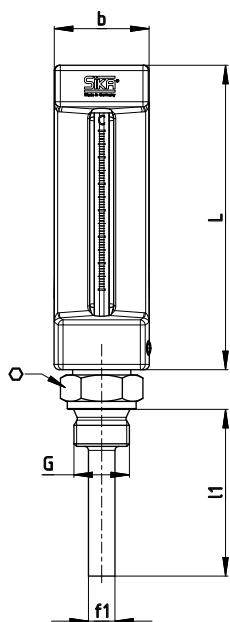
Technical data

Type	271 HBZ	272 WBZ	291 HBZ	292 WBZ	174 HBZ	175 WBZ
Standard	DIN 16181 bis 16190					
Version	Straight	Angle 90°	Straight	Angle 90°	Straight	Angle 90°
Dimensions Housing	200 x 36 mm		150 x 36 mm		110 x 36 mm	
Measuring range according to DIN	Between -30...200 °C					
Error limits according to DIN 16195	-30...100 °C = 2 °C 0...120 °C = 2 °C 0...200 °C = 4 °C		-30...120 °C = 2 °C 0...160 °C = 4 °C		2 °C	
Medium / Application	Liquid and gaseous media					
Immersion tube length	Between 63...250 mm					
Immersion tube diameter	Ø 10 mm					
Process connection	Fixed male thread G½					
Pressure rating**						
→ Immersion tube brass, brazed	PN 16					
→ Immersion tube steel or stainless steel, welded	PN 35					
Medium temperature	See selected measurement range					
Ambient temperature	-20...160 °C					
Storage temperature	-40...100 °C					

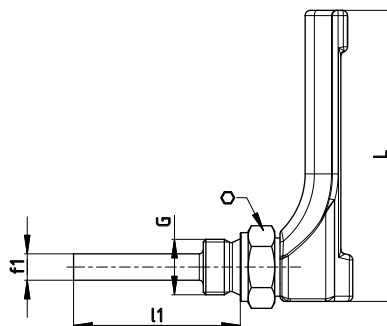
* Except glass breakage and improper installation.

** Non-binding guideline - For higher pressure loads, additional protection tubes have to be used.

Type 271 HBZ / 291 HBZ / 174 HBZ



Type 272 WBZ / 292 WBZ / 175 WBZ



Dimensions [mm]	L	f ₁	b	l ₁	G / ∅ Width across flats
271 HBZ / 272 WBZ	200	∅ 10	36	63	G½ / SW27
291 HBZ / 292 WBZ	150		36	100	
174 HBZ / 175 WBZ	110		36	250	

Material	
Housing	die-cast aluminium, gold painted
Thermometer capillary	Prismatic capillary tube of solid glass, bar-shaped, diameter approx. ∅ 6 mm, scale permanently burnt in
Thermometer filling → Blue	Petroleum
Material in contact with media	
Process connection	see immersion tube material
Immersion tube material → Standard → Optional	Brass, brazed Stainless steel, welded

Order code										
Version										
Nominal size 200										
Gold-coloured, Straight 271										
Gold-coloured, Angle 90° 272										
Nominal size 150										
Gold-coloured, Straight 291										
Gold-coloured, Angle 90° 292										
Nominal size 110										
Gold-coloured, Straight 174										
Gold-coloured, Angle 90° 175										
Immersion tube type										
Straight HBZ 8										
Angle 90° WBZ 4										
Display ranges										
-30...50 °C 35										
-10...50 °C 04										
0...60 °C 06										
0...100 °C 10										
0...120 °C 12										
0...160 °C 16										
0...200 °C 20										
Scale										
Celsius °C 1										
Thermometer filling										
Blue 1										
Immersion tube length (l₁)										
63 mm 063										
100 mm 100										
160 mm 160										
250 mm 250										
Process connection										
G½ / SW27 (other threads on request) 2										
Immersion tube material										
Brass 1										
Stainless steel 3										
Example order number										
271 8 35 1 1 063 2 1										

Note minimum order quantities.

BEST SELLER

Type	Immersion tube length (l ₁)	Order number								
291 HBZ	Straight type, 0...120 °C with fixed male thread G½, Immersion tube brass	63 mm	291	8	12	1	1	063	2	1
		100 mm	291	8	12	1	1	100	2	1
292 WBZ	Angle type, 0...120 °C with fixed male thread G½, Immersion tube brass	63 mm	292	4	12	1	1	063	2	1
		100 mm	292	4	12	1	1	100	2	1

Note minimum order quantities.

